



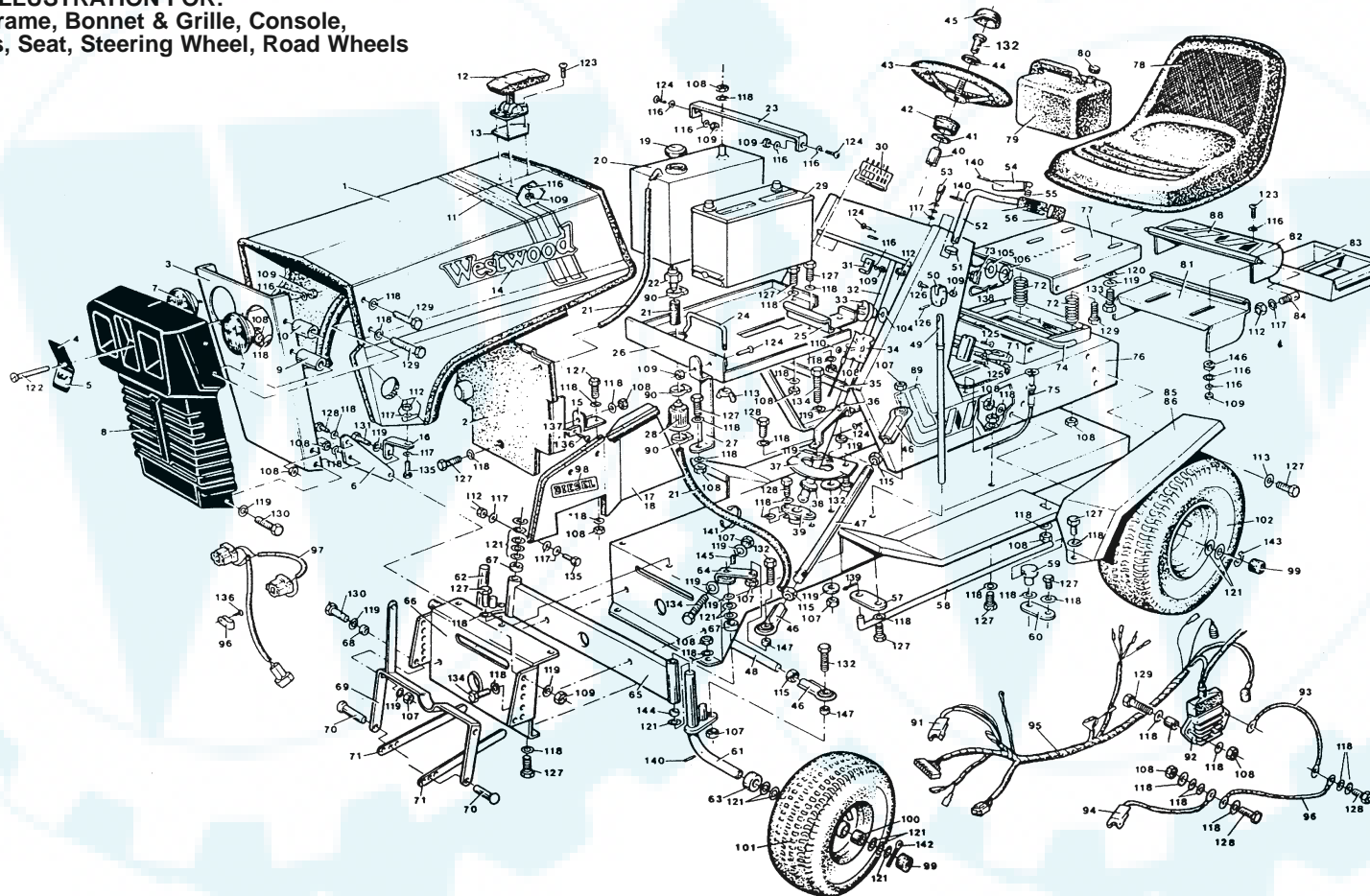
## WESTWOOD GARDEN TRACTORS 1987 PARTS CATALOGUE

# CONTENTS

	PAGE No.
UPPER FRAME, BONNET & GRILLE, CONSOLE, ELECTRICS, SEAT, STEERING WHEEL, ROAD WHEELS	2 – 4
1986/87 MK4 TRACTOR UNDERFRAMING	5 – 7
30" SIDE DISCHARGE GRASS CUTTER	8 – 9
36" STANDARD GRASS CUTTER	10 – 11
36" AND 42" CONTRA-ROTATING GRASS CUTTERS	12 – 13



**PARTS ILLUSTRATION FOR:  
Upper Frame, Bonnet & Grille, Console,  
Electrics, Seat, Steering Wheel, Road Wheels**





## PARTS LIST FOR: Upper Frame, Bonnet, Grille, Console, Electrics, Seat, Steering Wheel and Road Wheels

Item	Part No	Description	Qty
1	3634	Bonnet (S600 and S1100)	1
	3680	Bonnet (T1200)	1
	3661	Bonnet (D1200 Diesel)	1
	3633	Bonnet (T1600)	1
2	3832	Engine Rear Bulkhead (D1200 only)	1
3	3526	Grille Support Plate T1200, D1200, T1600	1
4	2345	Grille Plate (T1200, D1200, T1600 only)	1
5	3445	Logo, small 'w'	1
6	3534	Grille Plate Bracket	2
7	3727	Headlight 7" dia.	2
8	2344	Grille ('S' Series Tractors)	1
	3749	Plastic Grille Finisher	1
	1492	Grille ('T' Series Tractors)	1
9	3528	Spacer (short) Grille Support Plate	2
10	3527	Spacer (long) Grille Support Plate	2
11	3433	Bonnet Stripes ('S' Series only)	1
	3421	Bonnet Stripes – Other Models	1
12	1490	Bonnet Catch	1
13	3541	Bush, Gear Change Column	3
14	3422	Bonnet Logo – Westwood	2
	3423	Bonnet Logo – Westwood (T1600 only)	2
15	2816	Mounting Bracket, Rear Bulkhead (D1200)	1
16	3426	Transfer, Indicator Lights, 'T' Series only	1
	3427	Transfer, Indicator Lights, D1200 only	1
	3430	Transfer, Indicator Lights, 'S' Series only	1
17	3544	Engine Side Panel LH (D1200 only)	1
18	3545	Engine Side Panel RH (D1200 only)	1
19	1806	Cap, Steel Fuel Tank	1
	3963	Cap, Plastic Fuel Tank	1
20	3667	Steel Fuel Tank (Petrol)	1

Item	Part No	Description	Qty
	3960	Plastic Fuel Tank (Petrol)	1
	2811	Fuel Tank (D1200 Diesel only)	1
	3964	Plastic Fuel Tank (Diesel only)	1
21	3677	Fuel Pipe (Petrol)	1
	2822	Fuel Pipe (Diesel)	1
22	3674	Tap, Fuel Tank	1
	3962	Tap 'In Line'	1
	3957	Adaptor (in Line fuel tap)	1
	3675	Seal 'O' Ring	1
	3676	Washer, Fibre	1
23	3521	Fuel Tank Strap (Steel tank only)	1
	3958	Fuel Tank Strap (Plastic tank only)	11
24	3410	Bar, Battery Restraint	1
25	3411	Bracket Battery Restraint	1
26	3416	Tray, Fuel Tank, Battery Support	1
27	3407	Bracket, Tray Support	1
28	1816	Filter, Petrol (if fitted)	1
	2813	Filter Diesel	1
29	1209	Battery, 12 Volt, Type 138	1
30	3586	PCB – D1200 Diesel only	1
	3587	PCB – Petrol 'T' Series	1
	3588	PCB – Petrol 'S' Series	1
31	3519	Hook, Bonnet Catch	1
32	3475	Steering Column	1
33	2703	Ignition Switch	1
34	1507	Throttle Control 'S' Series	1
	1507	Throttle Control T1200 only	1
	2794	Throttle Control D1200 only	1
	1808	Throttle Control T1600 only	1
	3535	Cable Clip – T1200 and T1600 only	1
35	3359	Strap, Fuel Tank/Battery Tray Support	1
36	3401	Bridge, Steering Gear	1
37	3403	Steering Quadrant	1
	3400	Quadrant Pivot Bush	1
38	2276	Steering Gear	1
39	1699	Bearing, Steering Column Base	1

Item	Part No	Description	Qty
40	3406	Spacer, Steering Column	1
41	2275	Washer, Steering Wheel	1
42	2780	Steering Wheel Shroud	1
43	3946	Steering Wheel	1
44	1006	Domed Spring Washer	1
45	2059	Cap, Steering Wheel	1
46	1551	Ball Joint	1
46	3625	Ball Joint (1986 D1200 only)	1
47	2285	Steering Rod	1
47	3518	Steering Rod (1988 D1200 only)	1
48	1550	Track Rod	1
48	3663	Track Rod (1986 D1200 Diesel only)	1
49	2882	Column, Gear Change	1
50	2883	Knuckle Joint, Gear Change	1
51	3582	Spacer, Gear Change Upper & Lower	2
52	2881	Gear Change Lever	1
53	2963	Stop Pin	1
54	2884	Gear Lever Safety Catch	1
55	2925	Compression Spring, Safety Latch	1
56	2649	Knob	1
57	2270	Link Plate, Gear Change	1
58	2271	Rod, Gear Change	1
59	1694	Swivel Gear Change Rod	1
60	2273	Lever, Transaxle Gear Change	1
61	2287	Stub Axle, Left Hand	1
62	2291	Stub Axle, Right Hand	1
63	1980	Spacer, Front Wheels	2
64	2286	Steering Arm	1
65	2296	Axle Beam	1
65	1423	Grease Nipples	2
66	2249	Bracket, Chassis Front	1
67	2293	Spacer, Sub Axle	2
68	1680	Spacer, Hitch Bracket	2
69	3944	Bracket, Cutter Hitching (42" Cutters only)	1
	3945	Bracket, Cutter Hitching (30" and 36" Cutters only)	1

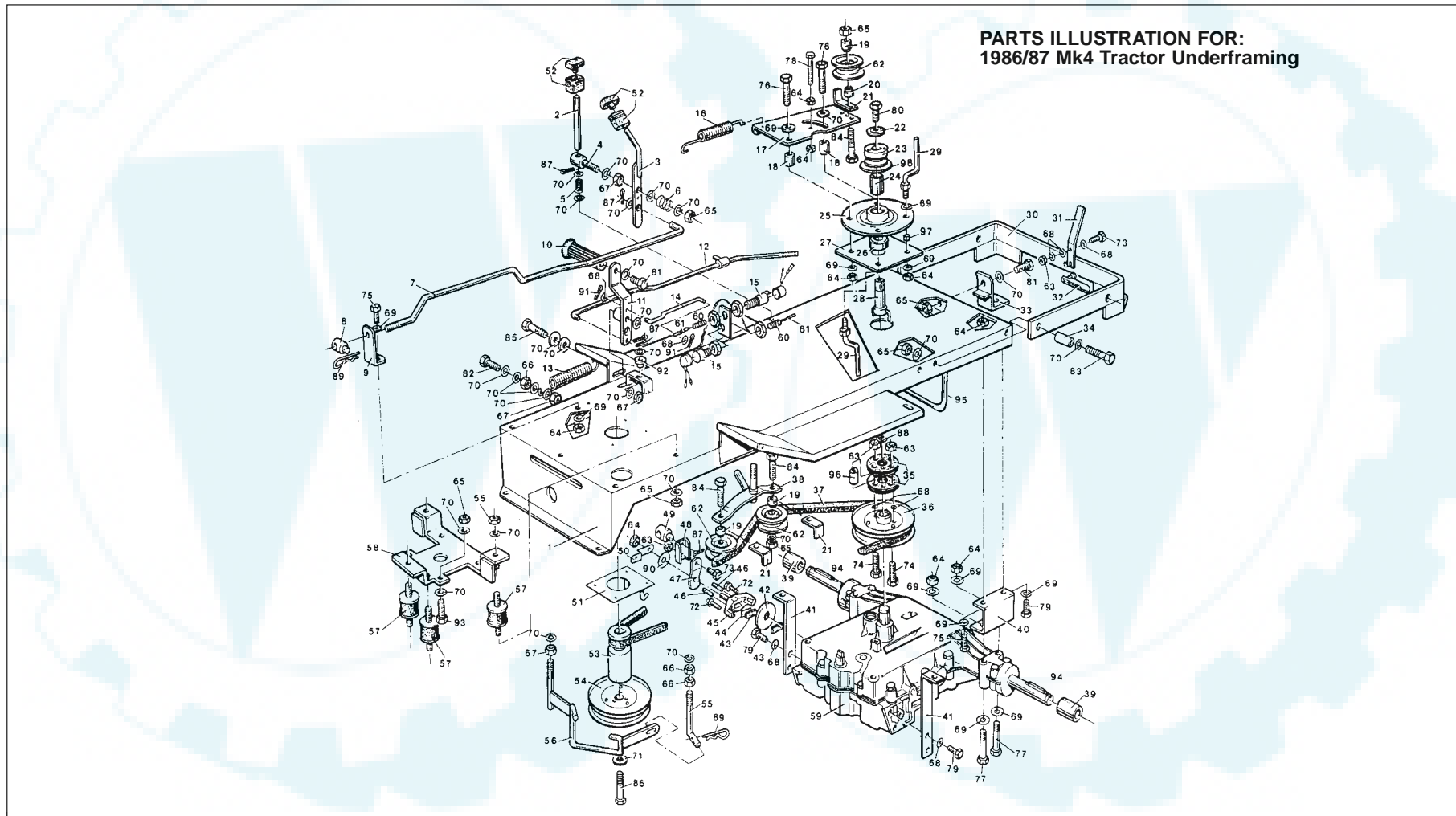


## PARTS LIST FOR: Upper Frame, Bonnet, Grille, Console, Electrics, Seat, Steering Wheel and Road Wheels

Item	Part No	Description	Qty
70	3349	Pin, Hitch	2
71	2010	Knob, Throttle	1
72	2898	Spring, Seat	1
73	3561	Switch, Headlights	1
74	2067	Pin, Seat Hinge	1
75	3559	Choke Control (T1600 only)	1
	3840	Choke Control (T1200 only – if fitted)	1
	3821	Stop Control (D1200 only)	1
76	3658	Body Assembly	1
77	2912	Seat Base	1
78	1660	Seat	1
79	1658	Fuel Can	1
80	1659	Cap, Fuel Can	1
81	3532	PTO Access Flap Inner	1
82	3660	PTO Access Flap Outer	1
83	2919	Tool Tray	1
84	3516	Swivel Pin, PTO Access Flap Hinge	2
85	1501	Mudguard, LH	1
86	3757	Mudguard, RH (S600, S1100/30only)	1
86	1502	Mudguard, RH	1
87	3535	Throttle Cable Clip	1
88	3444	Logo 'W' large	1
89	3424	Logo and Body Stripe (pair)	1
90	2828	Snapper Clip (Fuel Line)	2
91	2090	Battery Connector – Red	1
92	2814	Rectifier (D1200) Lombardini Part No.2760-7362-022	1
93	3678	Earth Lead Rectifier to engine (D1200)	1
93	3460	Earth Lead Engine to Chassis	1
93	3731	Earth Lead Solenoid to Engine	1
94	2091	Battery Connector – Blue	1
95	3457	Wiring Loom	1
95	3458	Wiring Loom (D1200 Diesel only)	1
96	3716	Cable Clip	1
97	3512	Wiring Harness, Headlights	1
98	3449	Logo – S600	1
	3798	Logo – S1100	1

Item	Part No	Description	Qty
	3447	Logo – T1200	1
	3729	Logo – D1200	1
	3448	Logo – DIESEL	1
	3451	Logo – T1600	1
99	2068	Hub Cap	4
100	3354	Bush Oilite	4
101	1749	Front Wheel Assembly 'S' Series	2
	1541	Front Wheel Rim 'S' Series	2
	1163	Front Wheel Tyre 'S' Series	2
	1201	Front Wheel Tube 'S' Series	2
	2796	Front Wheel Assembly 'T' Series	2
	1541	Front Wheel Rim 'T' Series	2
	1539	Front Wheel Tyre 'T' Series	2
	1540	Front Wheel Tube 'T' Series	2
102	1746	Rear Wheel Assembly 'S' Series	2
	1662	Rear Wheel Rim 'S' Series	2
	1747	Rear Wheel Tyre 'S' Series	2
	1748	Rear Wheel Tube 'S' Series	2
	1586	Rear Wheel Assembly 'T' Series	2
	1662	Rear Wheel Rim 'T' Series	2
	1587	Rear Wheel Tyre 'T' Series	2
	1598	Rear Wheel Tube 'T' Series	2
103	3484	Label – Gear Change Indicator	1
104	2049	Washer 5/8" Shakeproof	1
105	1976	Washer 5/8" ID x 1" OD	1
106	2065	Nut Special – Ignition/Starter Switch	1
107	1324	Nut 3/8" UNF Nyloc	11
108	1273	Nut 5/16" Nyloc	17
109	1053	Nut 2BA Nyloc	8
110	114	Nut 4BA Nyloc	4
111		Not Allocated	
112	1270	Nut 1/4" UNF Nyloc	4
113	3717	Nut 1/4" UNF, Butterfly	2
114	3689	Nut M5 Nyloc	2
115	1991	Nut 1/2" UNF plain	4
116	1962	Washer 2BA plain	10
117	1331	Washer 1/4" plain (T3LP)	8

Item	Part No	Description	Qty
118	1105	Washer 5/16" plain (T3LP)	28
119	1323	Washer 3/8" plain (T3LP)	14
120	1633	Washer 3/8" Shakeproof	4
121	1099	Washer 3/4" ID x 1 1/4" OD	10
122	3764	Screw 2BA x 2 1/4" long – Pozi-Pan	1
123	1734	Screw 2BA x 1/2" long – Pozi-Pan	2
124	1735	Screw 2BA x 3/4" long – Pozi-Pan	3
125	2021	Screw 4BA x 1/2" long – Pozi-Pan	4
126	3688	Setscrew M5 x 25mm HEX HD	2
127	1982	Setscrew 5/16" UNF x 3/4" long	16
128	2030	Setscrew 1/4" UNF x 3/4" long	4
129	1978	Bolt 5/16" UNF x 2 1/2" long	4
130	2015	Setscrew 3/8" UNF x 1" long	2
131	3604	Label – Engine Stop Control	1
	2605	Label – Engine Choke Control	1
132	1054	Bolt 3/8" UNF x 1 1/2" long	4
133	2034	Setscrew 3/8" UNC x 3/4" long	4
134	1200	Bolt 3/8" x 2 1/4" long	2
135	3019	Screw, Self Tapping No.8 x 1/2" long	3
136	3038	'J' Nut No.8 (D1200 only)	2
137	1225	'R' Clip	1
138	1233	Split Pin 1/8" dia. x 3/4" long	1
139	3061	Roll Pin 1/8" x 1"	3
140	2827	Hose Clip – Fuel Line	2
141	1227	Split Pin 1/8" dia. x 1 3/4" long	2
142	1663	'E' Clip 1/4" dia. Shaft	2
143	3355	Bush Flanged – Nylon	4
144	1098	Woodruff Key No.13	1
145	1973	Washer, Thackery Spring 2BA	4
146	1680	Spacer 1 1/2" OD x 3/8" ID x 1/4" long	4
147	3683	Spacer Ball Joint	4
148	3498	Edge Trim	As req
149	3548	Bonnet Seal (D1200 only)	As req
150	3583	Bonnet Side Panel Seal (D1200 only)	2
151	3539	Bush Flanged – Steering Column	1



**PARTS ILLUSTRATION FOR:  
1986/87 Mk4 Tractor Underframing**



## PARTS LIST FOR: 1986/87 Mk4 Tractor Underframing

Item	Part No	Description	Qty
1	2238	Chassis Assembly	1
2	2643	Parking Brake Plunger	1
3	3744	Engage Lever	1
4	2302	Pivot Boss	1
5	2003	Parking Brake Spring	1
6	1613	Engage Lever Spring	1
7	3525	Engage Rod D1200	1
	3751	Engage Rod S600	1
	1672	Engage Rod T1600	1
	1671	Engage Rod T1200 and S1100/36	1
8	1695	Engage Rod Swivel	1
9	3538	Engage Rod Guide Bracket – D1200 only	1
10	2004	Foot Pedal Bar	1
10	2009	Foot Pedal Rubber	1
11	2845	Foot Pedal Arm	1
12	1710	Brake Rod	1
13	2103	Tension Spring (Clutch/Brake)	1
14	3405	Switch Rod	1
15	3414	C/Deck Safety and Brake Safety Switch	1
16	2791	Spring Tension	1
17	2786	Jockey Plate	2
18	2787	Spacer Jockey Plate	2
19	2306	Bush PTO Jockey Pulley	3
20	2788	Bush PTO Jockey Pulley	1
21	1706	Belt Guide Jockey Pulley	1
22	1006	Dome Spring Washer	1
23	2820	PTO Drive Pulley	1
24	3357	Spacer PTO Pulley Short	1
25	3639	Bearing Housing	1
26	1180	Bearing	1
27	2834	Bearing Retaining Plate	1
28	3390	PTO Shaft	1
29	3378	PTO Belt Guide	2

Item	Part No	Description	Qty
30	3129	Mounting Bracket Assembly	1
31	3478	Belt Lever	2
32	3477	Latch Pin	2
33	2246	Tow Hitch	1
34	3177	Pivot Bush	2
35	3391	Rubber Coupling	2
36	3392	Translate Pulley Assembly 7"	1
	3395	Transaxle Pulley Assembly 6 1/2" (T1600 only)	1
37	1688	Transmission Belt (1688-42-5654)	1
38	2715	Jockey Pulley Arm	1
39	1715	Spacer 3/4" ID x 1 1/4" OD x 1 1/8"	2
40	3482	Rear Transaxle Support Bracket	2
	3483	Rear T/Axle Support Bracket (S Series)	2
41	2831	Front Transaxle Support Bracket	2
42	1995	Brake Disc	1
43	1988	Brake Pad	2
44	1989	Brake Pad Plate	1
45	1990	Brake Pad Holder	1
46	1984	Dowel Pins 1/4" dia. x 3/4" LG	2
47	1985	Brake Arm	1
48	1986	Brake Arm Extension	1
49	1693	Brake Rod Swivel	1
50		Bracket Peerless Part No.786086	1
51	3468	Belt Guide Assembly T1200 only	1
	3469	Belt Guide Assembly T1600 only	1
	3467	Belt Guide Assembly (All Others)	1
52	2648	Knob	2
53	2308	Engine Pulley Block	1
	2307	Engine Pulley Block (S600 only)	1
54	1558	Cutter Drive Pulley – 36"/42" Contra only	1
	3750	Cutter Drive Pulley – 30" Decks only	1
	3942	Cutter Drive Pulley – 36" Std Deck only	1

Item	Part No	Description	Qty
55	2319	Belt Guide Ret'ing Pin – 36" Std Deck only	1
	3743	Belt Guide Retaining Pin	1
56	3838	Belt Guide (42" Contra Deck only)	1
	3746	Belt Guide (30" Deck only)	1
	2311	Belt Guide (36" Std Deck only)	1
	3823	Belt Guide (36" Contra Deck only)	1
	3837	Attachment Bracket (Belt Guides)	1
57	2812	Flexible Mounts (D1200 only)	3
58	2818	Mounting Bracket Engine (D1200 only)	1
59	2019	Transaxle (D1200 and T1600 only)	1
	2018	Transaxle (S600, S1100 and T1200)	1
60	2000	Tension Spring	2
61	2592	Chain Link	2
62	2694	Jockey Pulley	3
63	1270	Nut 1/4" UNF Nyloc	5
64	1273	Nut 5/16" UNF Nyloc	20
65	1324	Nut 3/8" UNF Nyloc	4
66	1422	Nut 3/8" UNF plain	1
67	1979	Hall Nut 3/8" UNF Nyloc	2
68	1331	Washer 1/4" plain (T3LP)	8
69	1105	Washer 5/16" dia. plain (T3LP)	32
70	1323	Washer 3/8" dia. plain (T3LP)	17
71	1737	Washer 7/16" dia. plain	1
72	1983	Setscrew 1/4" UNC x 1 1/4"	2
73	1156	Setscrew 1/4" UNF x 3/4"	3
74	3719	Setscrew 1/4" UNF x 1 1/4"	2
75	2031	Setscrew 5/16" UNF x 1" long	4
76	1318	Bolt 5/16" UNF x 2" long	2
77	1978	Bolt 5/16" UNF x 2 1/2" long	4
78	1312	Bolt 5/16" UNF x 3" long	1
79	3845	Bolt 5/16" UNC x 3/4" Lg Taptite Washer Faced	4
80	1051	Setscrew 3/8" UNF x 1" long	1
81	2015	Setscrew 1/8" UNF x 1" long	3

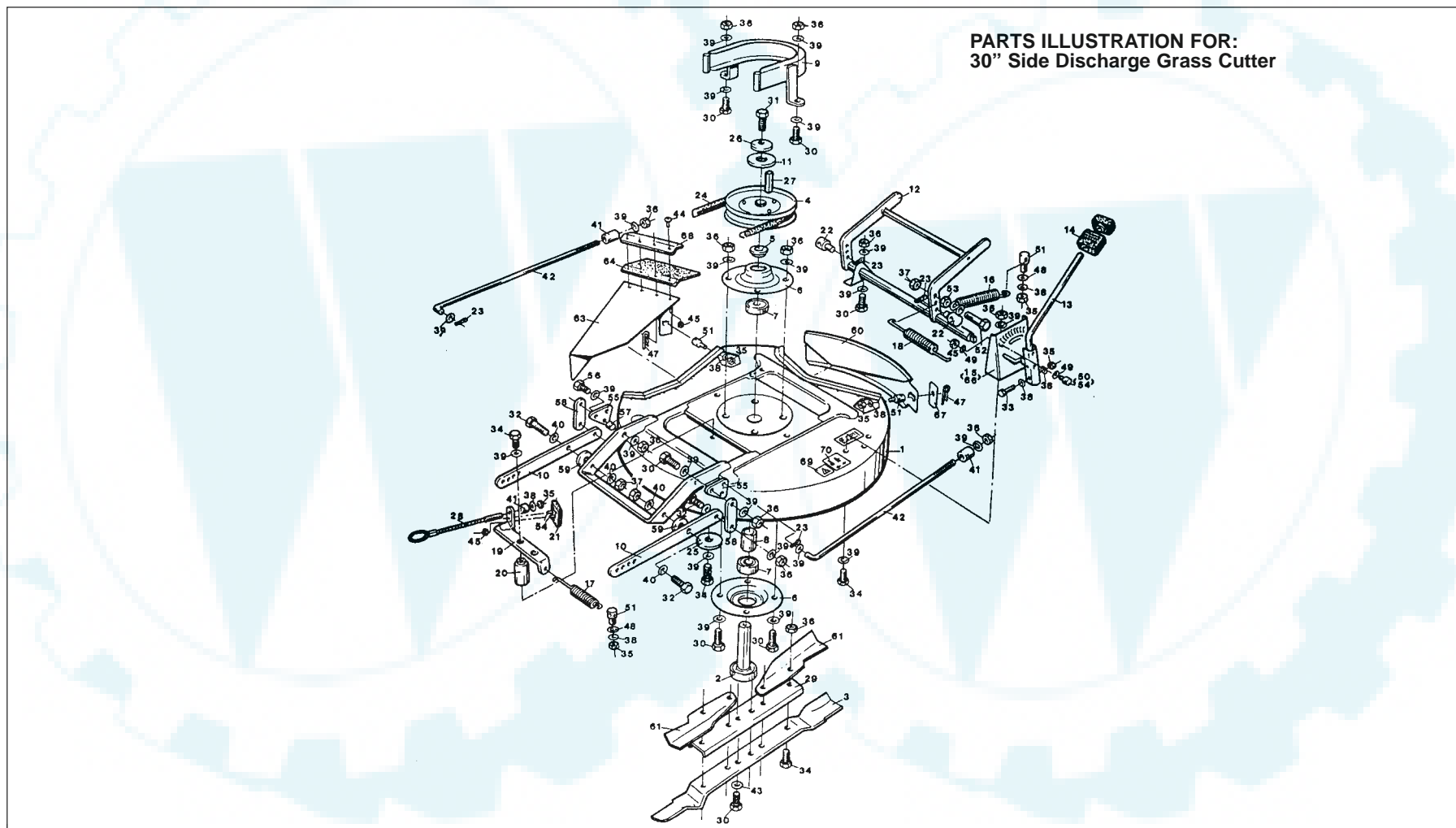


**PARTS LIST FOR:  
1986/87 Mk4 Tractor Underframing**

Item	Part No	Description	Qty
82	1948	Setscrew 3/8" UNF x 1 1/4" long	1
	3325	Grass Deflector (not shown) – 36" Cutter Decks	1
83	1054	Bolt 3/8" UNF x 1 1/2" long	2
84	1997	Bolt 3/8" UNF x 1 3/4" long	2
85	1267	Bolt 3/8" UNF x 2 1/2" long	1
86	3755	Bolt 7/16" UNF x 3 1/2" long	1
	2013	Bolt 3/8" UNF x 3 1/2" long	1
87	1233	Split Pins 1/8" dia. x 3/4"	6
88	1996	Circlip External 3/8"	2
89	1225	'R' Clip	2
90		Washer Peerless Part No.792076	1
91	2721	Split Pin 3/32" dia. x 1/2" long	2
92	2833	Bush Flanged 1/200 D x 5/16" ID x 1/2" LG Oilite	1
	3540	Bush Flanged 1/200" D x 5/16" ID x 1/2" LG Nylon	1
93	1321	Bolt 5/16" UNF x 1 1/2" long	4
94	1664	Key 3/16" Square x 2" long	2
95	3991	Hanger Bracket – Bar	1
	7283	Hanger Bracket – Support	2
96	3606	Spacer – PTO Rubber Couplings	2
97	1733	Spacer – PTO Transaxle Belt Guides	1
98	3511	Disc – PTO Belt Support	1
99	2025	Bolt 3/8" UNF x 2 3/4" long	1
	3329	Spacer – Gear Change, Chassis Stop	1
	3333	Grass Deflector 30" Cutter Decks	1

Item	Part No	Description	Qty

Item	Part No	Description	Qty



PARTS ILLUSTRATION FOR:  
30" Side Discharge Grass Cutter



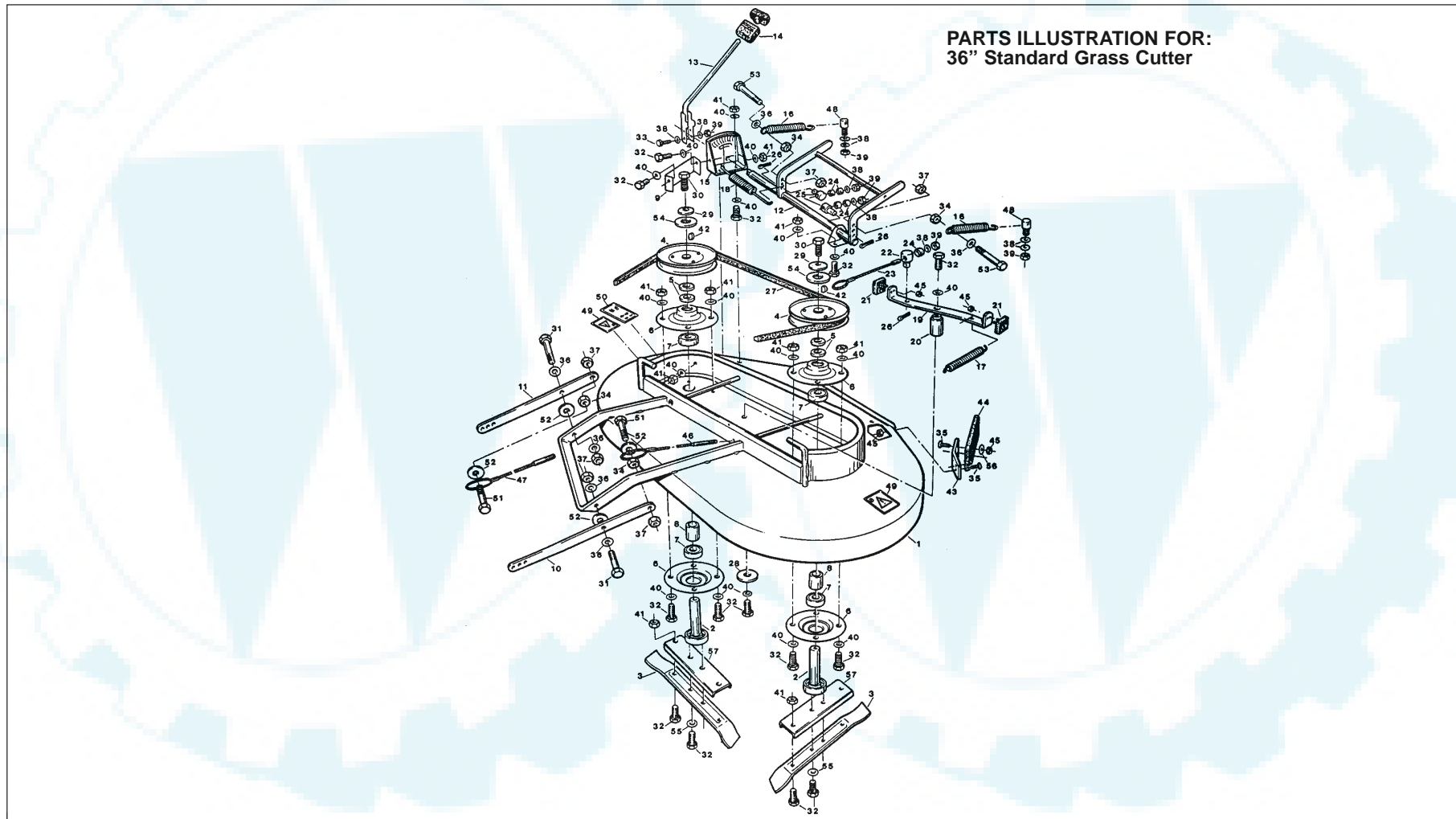


## PARTS LIST FOR: 30" Side Discharge Grass Cutter

Item	Part No	Description	Qty
1	3871	Cutter Deck	1
2	3759	Cutter Spindle	1
3	3870	Cutter Blade	1
4	3630	Cutter Pulley	1
5	2412	Spacer	1
6	3552	Bearings Housing	2
7	1180	Bearing	2
8	3629	Spacer, Bearing	1
9	2425	Pulley Guard	1
10	2420	Hitch Bar	2
11	3635	Washer 30mm ID x 2 1/8" OD	1
12	3884	Hanger Bar	1
13	3881	Height Adjuster Lever	1
14	2649	Knob	1
15	3883	Quadrant Height Adjuster	1
16	2217	Spring, Tension (Hanger Bar)	2
17	2103	Spring, Tension (Brake)	1
18	2595	Spring, Tension (Height Adjuster)	1
19	3737	Brake Arm	1
20	2404	Pivot, Brake Arm	1
21	1621	Brake Pad	1
22	3740	Pivot, Lift Rod	2
23	1233	Split Pin 1/8" dia. x 3/4" long	4
24	1767	Belt, Cutter Drive (42.5804)	1
25	1666	Washer 3/8" ID x 1 7/8" OD	1
26	1006	Washer, Domed	1
27	3841	Key, Parallel 1/4" sq x 3/4" long	1
28	3739	Cable – Cutter Brake	1
29	3558	Blade Carrier	1
30	1982	Setscrew 5/16" UNF x 3/4" long	14
31	1051	Setscrew 3/8" UNF x 1" long	1
32	1054	Bolt 3/8" UNF x 1 1/2" long	2
33	2022	Bolt 1/4" UNF x 1 1/4" long	1
34	2031	Setscrew 5/16" UNFX x 1" long	9
35	1270	Nut 1/4" UNF Nyloc	6

Item	Part No	Description	Qty
36	1273	Nut 5/16" UNF Nyloc	21
37	1324	Nut 3/8" UNF Nyloc	3
38	1331	Washer 1/4" dia. plain (T3LP)	6
39	1105	Washer 5/16" dia. plain (T3LP)	44
40	1323	Washer 3/8" dia. plain (T3LP)	7
41	3793	Spacer, Lift Rods	3
42	3734	Lift Rod	2
43	2058	Washer 5/16" dia. Shakeproof	2
44	1734	Machine Screw 2BA x 1/2" long Pozi-Pan	4
45	1053	Nut 2BA Nyloc	7
46	1663	'E' Spring clip 3/4" dia. shaft (Not Illustrated – fitted to item 12)	2
47	1225	'R' Clip	2
48	3616	Washer 5/16" dia. plain (T4HP)	2
49	1962	Washer 2BA	5
50	2430	Stop-Height Adjuster	1
51	3516	Pivot-Spring Attachment	4
52	1200	Bolt 3/8" UNF x 2 1/4" long	1
53	1422	Fullnut 3/8" UNF	1
54	1735	Machine Screw 2BA x 3/4" long Pozi-Pan	3
55	3737	Plate Link	2
56	1321	Bolt 5/16" UNF x 1 1/2" long	2
57	3691	Spacer	2
58	3760	Link Plate	2
59	4124	Washer 3/8" ID x 1" OD (T5)	2
60	3887	Cover (Grass Ejection)	1
61	3890	Blade Extension	2
62	3894	S/D Chute Assy (see illustrations)	1
63	3891	Cover, Side Discharge Chute	1
64	3893	Flap, Side Discharge Chute	1
65	3892	Rear Discharge Chute	1
66	2429	Plate Reinforcing	1

Item	Part No	Description	Qty
67	3896	Clamping Plate	2
68	3903	Flap Retaining Plate	1
69	3439	Transfer – Warning Triangle	2
70	3434	Transfer – Height Adjuster	1



PARTS ILLUSTRATION FOR:  
36" Standard Grass Cutter

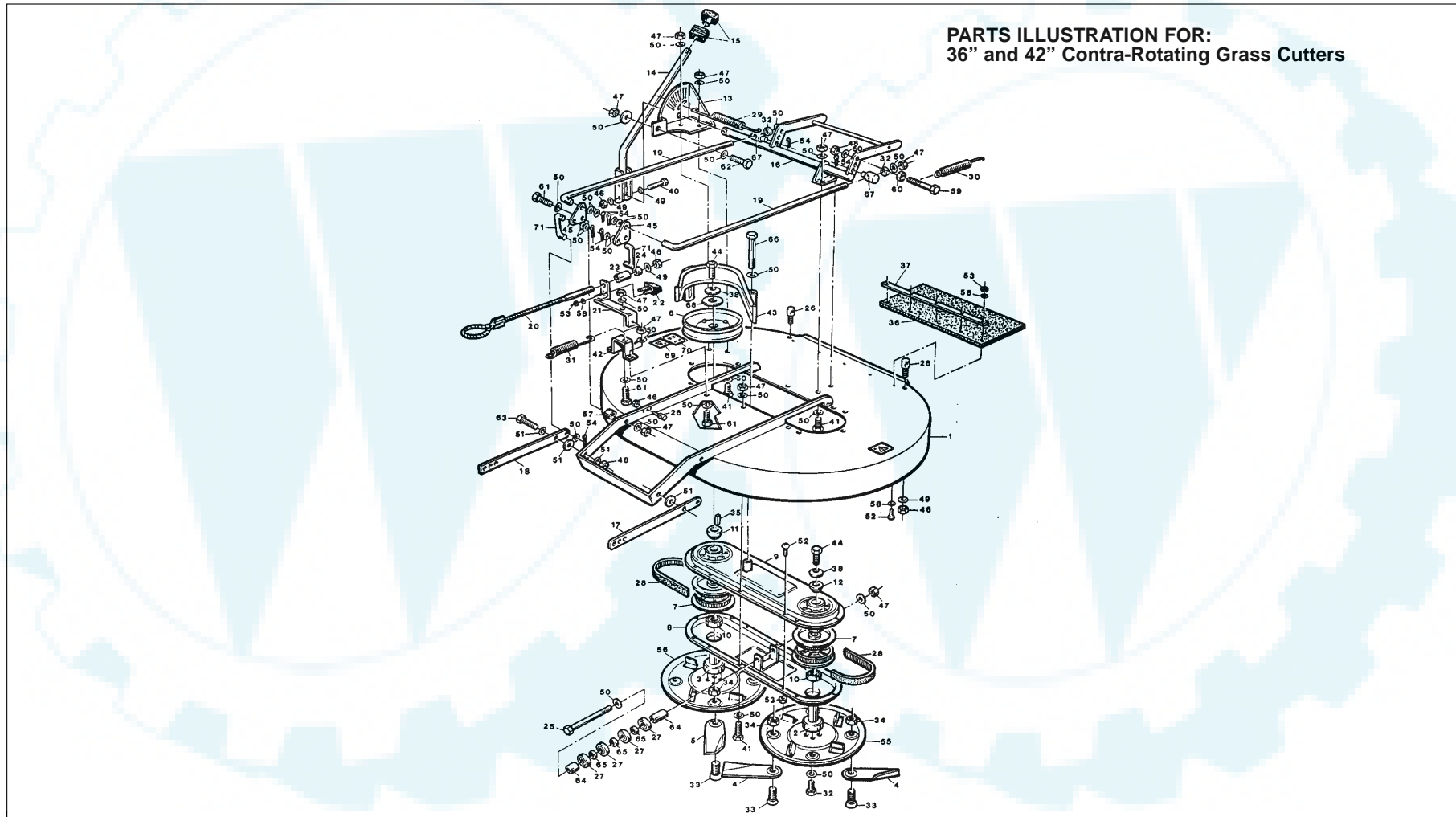


## PARTS LIST FOR: 36" Standard Grass Cutter

Item	Part No	Description	Qty
1	2381	Cutter Deck Shell	1
2	3759	Blade Spindle	2
3	2394	Cutter Blade	2
4	3943	Drive Pulley	2
5	3618	Washer 1" ID x 1 7/16" OD	4
6	3552	Bearing Housing	4
7	1180	Bearing	4
8	3629	Bearing Spacer	2
9	2399	Bracket, Height Adjuster Quadrant	1
10	2406	Bar Hitch, LH	1
11	3868	Bar Hitch, RH	1
12	2395	Hanger Bar	1
13	2646	Lever, Height Adjusting	1
14	2649	Knob	1
15	2398	Quadrant Height Adjuster	1
16	1076	Tension Spring (Hanger Bar)	1
17	1946	Tension Spring (Cutter Brake)	1
18	2595	Tension Spring (Height Adjuster Lever)	1
19	2403	Brake Arm	1
20	2404	Brake Arm Pivot	1
21	1621	Brake Pad	2
22	1694	Pivot, Brake Cable	1
23	3739	Brake Cable	1
24	3397	Spacer	5
25	1756	Pivot, Lift Cable	2
26	1233	Split Pin 1/2" dia. x 3/4" long	3
27	1721	Drive Belt 42-4968	1
28	1666	Washer 3/8" ID x 1 7/8" OD	1
29	1006	Dome Spring Washer	2
30	1051	Setscrew 3/8" UNF x 1 1/4" long Nyloc	2
31	1054	Bolt 3/8" UNF x 1 1/2" long	2
32	1982	Setscrew 5/16" UNF x 3/4" long	24
33	2022	Bolt 1/4" UNF x 1 1/4" long	1
34	1979	Half Nut, 3/8" UNF	1

Item	Part No	Description	Qty
35	1735	Machine Screw 2BA x 3/4" long	6
36	1323	Washer 3/8" dia. plain	4
37	1324	Nut 3/8" UNF Nyloc	6
38	1331	Washer 1/4" dia. plain	9
39	1270	Nut 1/4" UNF Nyloc	6
40	1105	Washer 5/16" dia. plain	30
41	1273	Nut 5/16" UNF Nyloc	18
42	3728	Woodruff Key (1/4" x 3/4")	2
	3841	Key 1/4" Square Drive x 3/4" long	2
43	2208	Bracket Deflector	1
44	2209	Rubber Deflector	1
45	1053	Nut 2B Nyloc	6
46	2650	Lift Cable L/H	1
47	2653	Lift Cable R/H	1
48	3516	Pivot, Spring Attachment	2
49	3434	Transfer – Warning Triangle	2
50	3439	Transfer – Height Adjuster	1
51	1997	Bolt 3/8" UNF x 1/4" long	2
52	4124	Washer 3/8" ID x 1" OD	4
53	1267	Bolt 3/8" UNF x 2 1/2" long	2
54	3635	Washer, Drive Pulley	2
55	2048	Washer, 5/16" dia. Shakeproof	4
56	1962	Washer 2BA plain	4
57	3557	Blade Carrier	2

Item	Part No	Description	Qty
------	---------	-------------	-----



**PARTS ILLUSTRATION FOR:  
36" and 42" Contra-Rotating Grass Cutters**



## PARTS LIST FOR: 36" and 42" Contra-Rotating Grass Cutters

Item	Part No	Description	Qty
1	3766	36" Deck Shell	1
	3767	42" Deck Shell	1
2	3706	Blade Spindle (short) LH	1
3	3707	Blade Spindle (long) RH	1
4	3768	Cutter Blade, LH – 36" Deck	2
	3770	Cutter Blade, LH – 42" Deck	2
5	3769	Cutter Blade, RH – 36" Deck	2
	3771	Cutter Blade, RH – 42" Deck	2
6	3548	Pulley, Cutter Drive	1
7	3636	Pulley, Toothed Belt	2
8	3772	Bearing Housing Lower – 36"	1
	3778	Bearing Housing Lower – 42"	1
9	3773	Bearing Housing Upper – 36"	1
	3777	Bearing Housing Upper – 42"	1
10	1180	Bearing, Cutter Spindle	4
11	3775	Spacer, Drive Pulley	1
12	3776	Spacer, LH Cutter Spindle	1
13	2398	Quadrant, Height Selector – 36" Deck	1
	3779	Spacer Plate – 36" Deck only	1
14	3794	Quadrant, Height Selector – 42" Deck	1
	2646	Lever, Height Selector	1
15	2649	Knob	1
16	2358	Hanger Bar	1
17	3781	Spacer Plate – 36" Deck only	1
18	2410	Hitch Bar, LH	1
19	3707	Lift Rod – 36"	2
20	3690	Lift Rod – 42"	2
	3782	Cable, Brake Operating – 36" Deck	1
21	3783	Cable, Brake Operating – 42" Deck	1
	3784	Brake Arm – 36" (Early Models)	1
21	3865	Brake Arm – 36"	1
	3785	Brake Arm – 42" (Early Models)	1
22	3863	Brake Arm – 42"	1
	3730	Brake Pad	1

Item	Part No	Description	Qty
23	1733	Spacer long 3/4"	2
24	3793	Spacer short 1/4"	2
25	1933	Bolt 5/16" UNF x 3 1/2" long	1
26	3516	Pivot Spring Attachment	3
27	2445	Bearing – Belt Separator	5
28	2659	Toothed Belt 1280 8M20 – 36" Deck	1
	2660	Toothed Belt 1440 BM2 – 42" Deck	1
29	2595	Tension Spring, Height Selector	1
30	2217	Tension Spring, Hanger Bar – 42" Deck	2
31	3843	Tension Spring, Hanger Bar – 36" Deck	2
	2594	Tension Spring, Cutter Brake	1
32	3793	Spacer	2
33	1954	Bolt M12, Shouldered	4
34	2045	Nut M12, Nyloc	4
35	3841	Key Parallel 1/4" Square x 3/4" long	1
36	3786	Rubber Grass Deflector	1
37	3702	Strap Retaining, Grass Deflector	1
38	1006	Washer, Domed Spring	2
39	2225	Drive Belt 42-7671 – 36" Decks	1
	2226	Drive Belt 42-7699 – T1600/42"	1
40	2624	Drive Belt 42-7944 – D1200/42"	1
	2022	Bolt 1/4" UNF x 1 1/4" long	1
41	1982	Setscrew 5/16" UNF x 3/4" long	12
42	3696	Support Bracket – Brake Arm (Early Models)	1
43	3861	Support Bracket – Brake Arm	1
	3787	Guard, Drive Belt – 36"	1
44	3788	Guard, Drive Belt – 42"	1
	2015	Setscrew 3/8" UNF x 1" long	2
45	3735	Link Plate	2
46	1270	Nut 1/4" UNF Nyloc	5
47	1273	Nut 5/16" UNF Nyloc	19
48	1324	Nut 3/8" UNF Nyloc	4
49	1331	Washer 1/4" Plain	6
50	1105	Washer 5/16" Plain (T3LP)	45

Item	Part No	Description	Qty
51	1323	Washer 3/8" plain (T3LP)	6
52	1735	Screw 2BA x 3/4" long Pozi-Pan	9
53	1053	Nut 2BA Nyloc	11
54	1233	Split Pin 1/8" dia. x 1/8" long	8
55	3789	Disc Blade LH	1
56	3790	Disc Blade RH	1
57	3691	Bush, Link	2
58	1962	Washer 2BA Plain	12
59	1267	Bolt 3/8" UNF x 2 1/2" long	1
60	1979	Half Nut 3/8" UNF Plain	1
61	3608	Bolt 5/16" UNF x 1 1/4" long	2
62	2031	Setscrew 5/16" UNF x 1" long	5
63	1054	Bolt 3/8" UNF x 1 1/2" long	2
64	3329	Spacer long	3
65	3338	Spacer short	4
66	1312	Bolt 5/16" UNF x 3" long	1
67	3740	Pivot, Lift Rod	2
68	3635	Washer, Drive Pulley	1
69	3434	Transfer – Warning Symbol	2
70	3439	Transfer – Cutting Height	1
71	3694	Link 'U' Shaped	2